

Freshbrew/Espresso Omni S



Placement and connections

This leaflet provides information about space- and connection requirements to ensure safe and successful installation, and operation of your coffee machine.

The installation technician takes care of equipment installation from the wall socket(s) and the water connection point. This excludes drilling of holes in the counter or table-top to guide power cords, hoses or chutes trough.

Please consult your local JDE Professional helpdesk for more information and explanation.
Please see the product brochure for more detailed information regarding range of available drinks, specifications, options and accessories.



Placement and connections

THE BASIS FOR GREAT COFFEE

Freshbrew/Espresso Omni S



Placement and connections

Please observe the guidelines to maximize safety and performance

units of measurement = mm

Please consult your local JDE Professional helpdesk for more information and explanation.

Please see the product brochure for more detailed information regarding range of available drinks, specifications, options and accessories.



⚡ POWER SUPPLY
 Power consumption (rated): 2300 W (230V)
 Wall outlet with earth connection
 (in compliance with your local regulations),
 230VAC/50Hz, 16A
 Distance from machine : <1 mtr.

An additional power outlet is required for an optional cold water unit or accessories.

💧 WATER CONNECTION
 (in compliance with your local regulations)
 Copper piping (or similar material - approved for drinking water supply)
 Non-return valve (mandatory in many countries – check your local regulations)
 Water tap : 3/4" or 3/8"
 Distance from machine : <1 m
 Water hose length : 1000 mm
 Dynamic pressure : min. 1 bar at 10 L/min
 Static pressure : max. 8 bar non-shock

DIMENSIONS
 H 875 mm x W 380 mm x D 460 mm
 +50 ventilation space at the rear side
 (add 50 at both sides of the machine for service and maintenance purpose)
Overall space required
 H 880 mm x W 480 mm x D 560 mm
 Operational weight : approx. 54 kg

- 🔊 OTHER**
- ❗ The electrical socket should not be located within a distance of 30 cm/12" or below the water connection point.
 - ❗ The wall socket and water stop valve should be located in the same room as the equipment and easily accessible.
 - ❗ Do not use power extension cords.
 - ❗ The equipment is only suitable for indoor use. (temperature: 1 ~ 32 °C, humidity: <80% RH)
 - ❗ Please check the ingredient packs for storage requirements and handling.

Freshbrew/Espresso Omni S



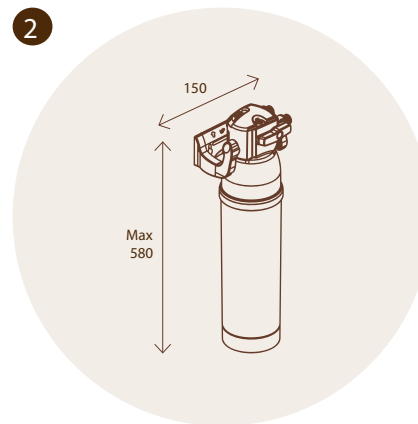
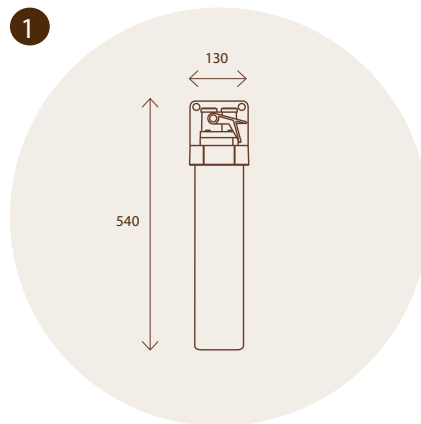
Options and water treatment

Information concerning options, water filters and -softeners.

units of measurement = mm

Please consult your local JDE Professional helpdesk for more information and explanation.

Please see the product brochure for more detailed information regarding range of available drinks, specifications, options and accessories.



EXPLANATION

1. WATER FILTER

A filter may be necessary to optimize the water quality
The max required space is:
540 (h) x 130 (b) x 130 (d)

2. WATER SOFTENING (> 8 ° DH)

A water softener is necessary if the water hardness exceeds 8 ° DH.
The type required depends on the water hardness and daily number of consumptions.

The max required space is:
580 mm (l) x 150 mm (w) x 150 mm (d)

Freshbrew/Espresso Omni S

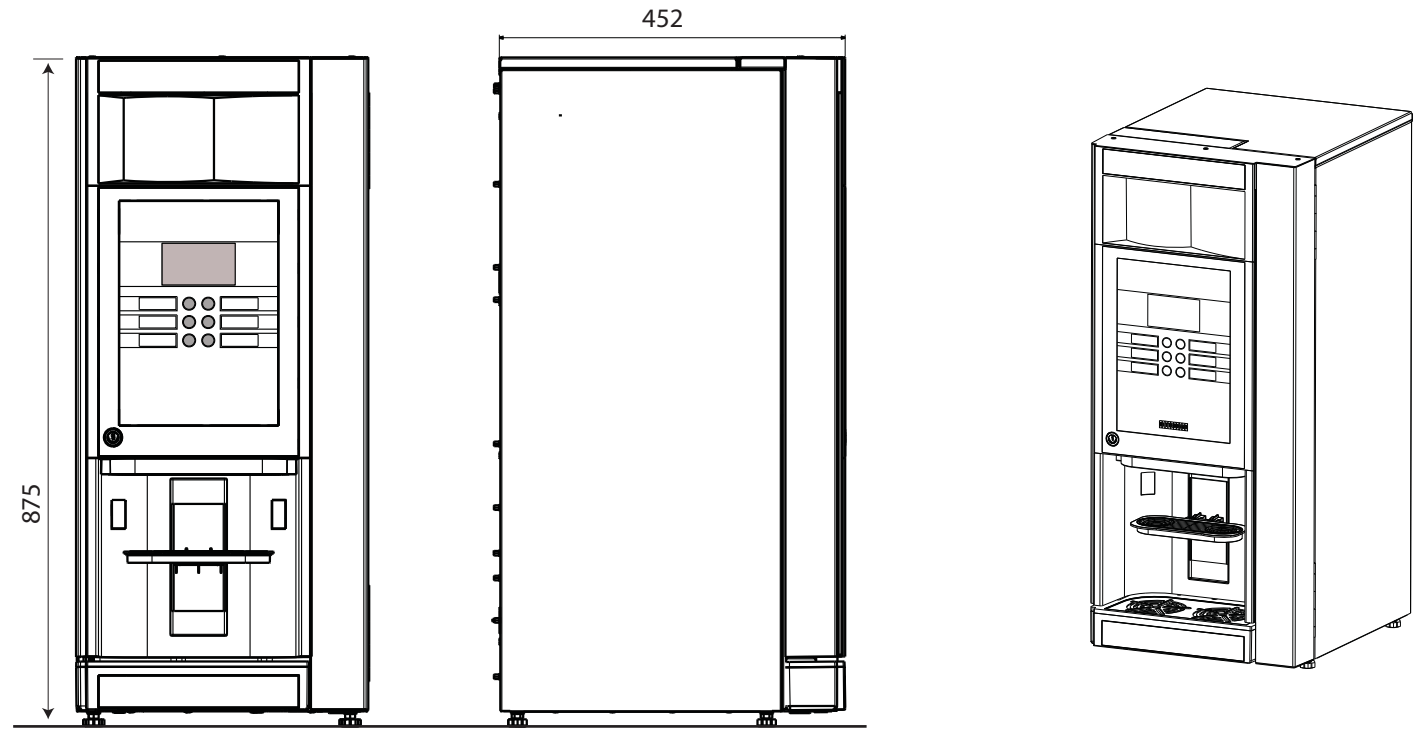


Dimensions in detail

Additional detailed information concerning dimensions.

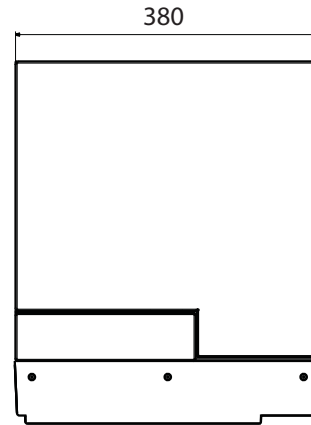
units of measurement = mm

Please consult your local JDE Professional helpdesk for more information and explanation.
Please see the product brochure for more detailed information regarding range of available drinks, specifications, options and accessories.

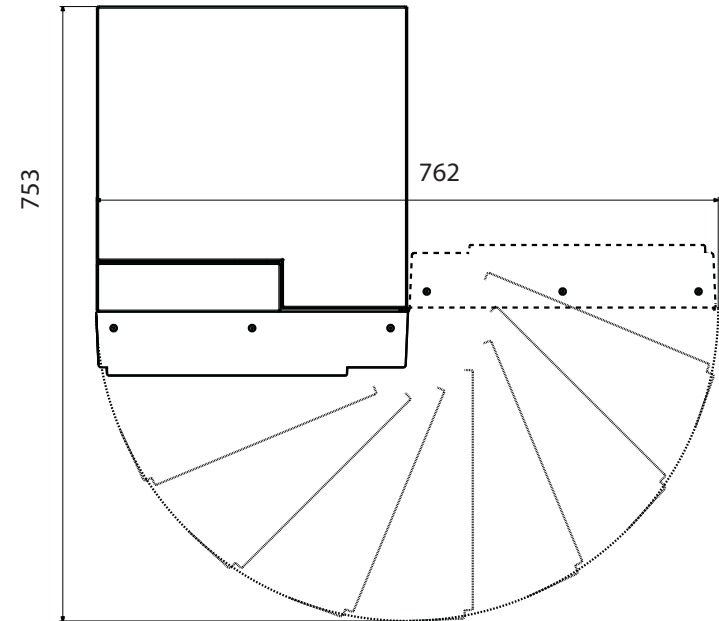


[Side view]

[Top view with max. reach of open door]



[Top view]



Freshbrew/Espresso Omni S



Dimensions in detail

Additional detailed information concerning an hole for the optional waste chute.

units of measurement = mm

Please consult your local JDE Professional helpdesk for more information and explanation.
Please see the product brochure for more detailed information regarding range of available drinks, specifications, options and accessories.

